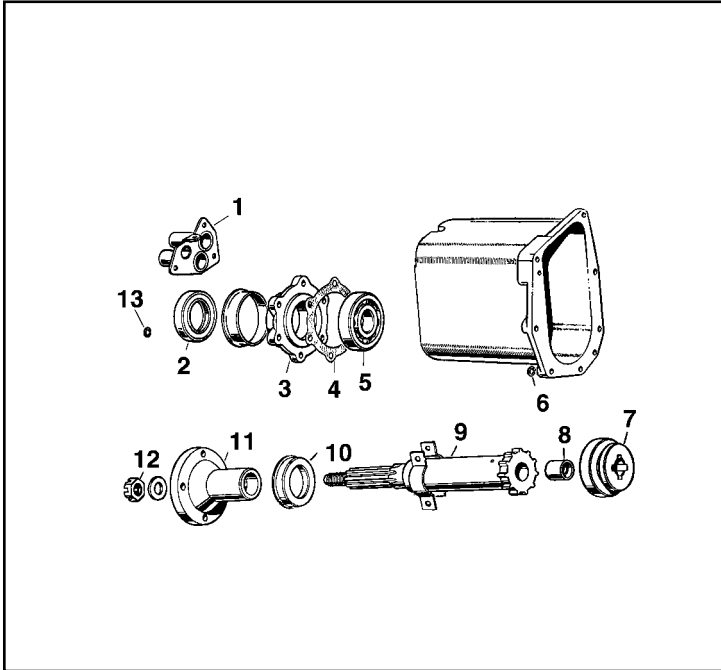


# Transmission

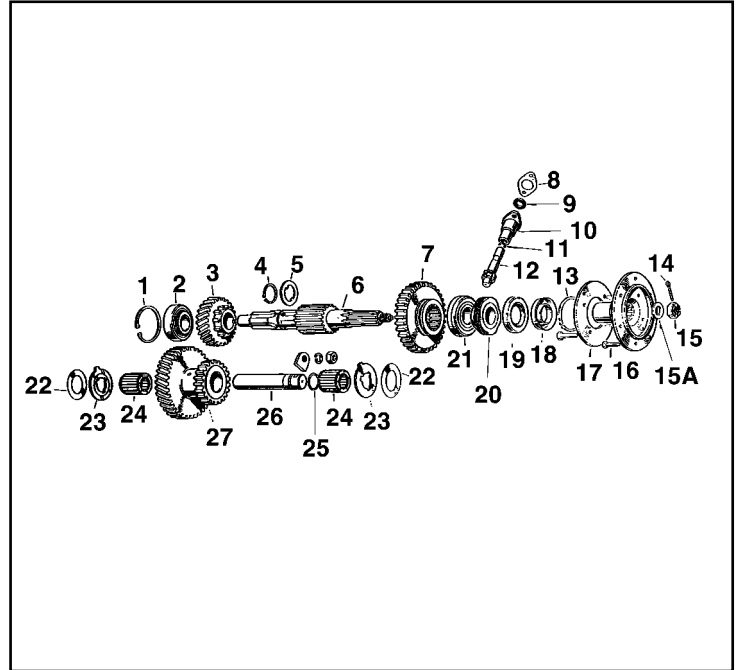


## FRONT OUTPUT SHAFT ASSEMBLY

Ref #	Description	Qty	Part #
1	Dust Cover Plate	1	*NLA 1533
2	Oil Seal	1	13
3	Retainer, Oil seal	1	*NLA 1438
4	Joint Washer	1	1430
5	Bearing, Front Output Shaft	1	290
6	Spring Washer	7	5690
7	Locking Dog	1	6355
8	Bush for Shaft	1	8
9	Front Output Shaft Assembly	1	6354
10	Mudshield	1	*NLA 1433
11	Flange, Transfer Shaft	1	324
12	Slotted Nut	1	183
13	Spring Washer	6	5690

\*NLA = No longer available.

**Some items in this section may be available on a special order basis or phone-order only. Please call for pricing and availability.**



## TRANSFER BOX COMPONENTS

Ref #	Description	Qty	Part #
1	Circlip	1	1285
2	Bearing, Output Shaft	1	260
3	High Gear Wheel	1	6236
4	Circlip	1	570
5	Thrust Washer	1	498
6	Output Shaft	1	6353
7	Low Gear Wheel up to Suffix "B"	1	6238
7	Low Gear Wheel Suffix "C" on	1	6240
8	Joint Washer for Sleeve	1	573
9	Oil Seal - Pinion	1	796
11	Sealing Ring for Sleeve	1	569
12	Speedometer Pinion	1	6249
13	Circlip	1	1352
14	Cotter Pin	1	5229
15	Nut	1	183
15A	Washer	1	216
16	Bolt, Brake Drum	6	1353
not shown	Dowel for Flange	2	1326
17	Retaining Flange	1	1354
18	Mudshield	1	*NLA 1433
19	Oil Seal, Output Shaft	1	13
20	Speedometer Worm	1	6352
21	Bearing, Output Shaft	1	261
22	Shim, Intermediate Gear "A"	as required	568
22	Shim, Intermediate Gear "B" on	as required	5799
23	Thrust Washer	2	*NLA 567
23	Thrust Washer, "B" on	2	5410
24	Bearing, Roller	2	*NLA 822
24	Bearing, Roller "B" on	2	2027
25	Sealing Ring, Intermediate Shaft	1	569
25	Sealing Ring, "B" on	1	5494
26	Shaft, Intermediate Gear 1 1/8 Diameter	1	1858
26	Shaft, Intermediate Gear, 1 5/8 Dia	1	5411
27	Gear, Intermediate, Suffix "A"	1	*NLA 6237
27	Gear, Intermediate, Suffix "B"	1	*NLA 6243
27	Gear, Intermediate, Suffix "C"	1	*NLA 6244

