

ILL. No.	Part No.	Description	Qty. Rqd.
----------	----------	-------------	-----------

BACK DOOR & REAR BODY FITTINGS

REMARKS LEGEND -

Vehicle i.d. (v) numbers:

SA = 1995 model year;

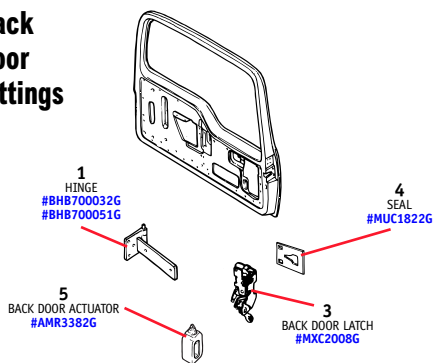
TA = 1996 model year

VA = 1997 model year

WA = 1998 model year

MONEY-SAVING KITS NOTED IN RED TYPE

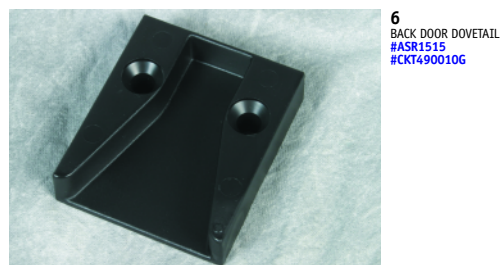
Back Door Fittings



- | | | | |
|---|------------|---|---|
| 1 | BHB700032G | HINGE ASSEMBLY, back door, upper, Genuine | 1 |
| | BHB700051G | HINGE ASSEMBLY, back door, lower | 1 |
| 2 | CXB102190G | DOOR HANDLE, exterior, back door, Genuine | 1 |
| 3 | MXC2008G | DOOR LATCH ASSEMBLY, back door, Genuine | 1 |
| 4 | MUC1822G | DUST SEAL, door latch, Genuine | 1 |
| 5 | AMR3382G | ACTUATOR, back door lock, Genuine | 1 |
| 6 | ASR1515 | DOVETAIL, female, back door | 1 |
| | CKT490010G | DOVETAIL, male, back door, Genuine | 1 |



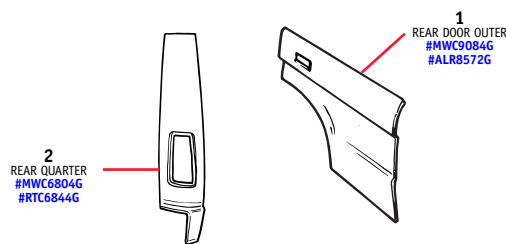
2 BACK DOOR HANDLE
#CXB102190G



6 BACK DOOR DOVETAIL
#ASR1515
#CKT490010G

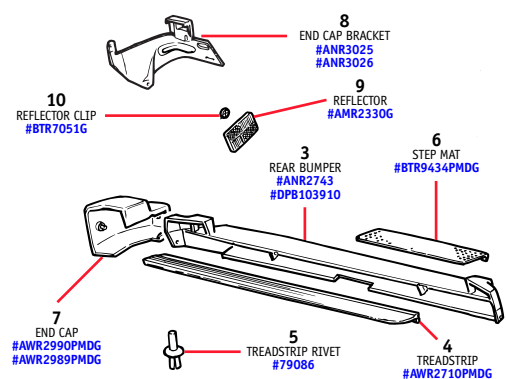
ILL. No.	Part No.	Description	Qty. Rqd.
----------	----------	-------------	-----------

Rear Panels



- | | | | |
|---|----------|--|---|
| 1 | MWC9084G | DOOR OUTER PANEL, rear, RH, Genuine
<i>Through 1995 model year;
can be fitted to later models</i> | 1 |
| | ALR8572G | DOOR OUTER PANEL, rear, RH, Genuine
<i>From 1996 model year on</i> | 1 |
| 2 | MWC6804G | REAR QUARTER PANEL, RH, Genuine | 1 |
| | RTC6844G | REAR QUARTER PANEL, LH, Genuine | 1 |

Rear Bumper

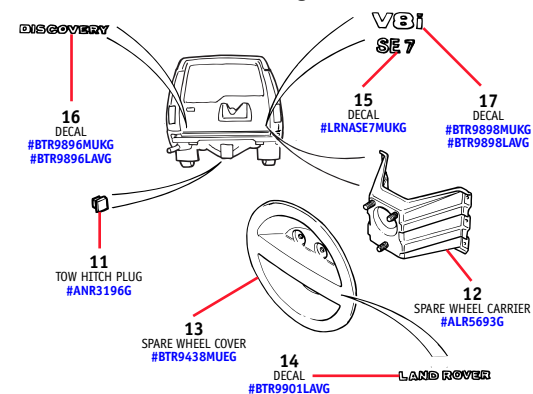


- | | | | |
|----|-------------|--|------|
| 3 | ANR2743 | BUMPER ASSEMBLY, rear, black | 1 |
| | DPB103910 | BUMPER ASSEMBLY, rear, chrome
<i>LSE models from (v) WA746542 on</i> | 1 |
| | ANR2743FK | FIXING KIT, Bumper Assembly, rear | *NLA |
| 4 | AWR2710PMDG | TREADSTRIP, rear bumper, Genuine
<i>From (v) SA118555 on</i> | 1 |
| 5 | 79086 | RIVET, plastic, treadstrip, Genuine | 8 |
| 6 | BTR9434PMDG | MAT, rear bumper step, Genuine | 1 |
| 7 | AWR2990PMDG | END CAP ASSY, rear bumper, RH, Genuine
<i>From (v) 1996 model year on</i> | 1 |
| | AWR2989PMDG | END CAP ASSY, rear bumper, LH, Genuine
<i>From (v) 1996 model year on</i> | 1 |
| 8 | ANR3025 | BRACKET, end cap support, RH | 1 |
| | ANR3026 | BRACKET, end cap support, LH | 1 |
| 9 | AMR2330G | REFLECTOR, end cap, Genuine | 2 |
| 10 | BTR7051G | CLIP, reflector retaining, Genuine | 2 |
| 11 | ANR3196G | PLUG, blanking tow hitch socket, Genuine | 1 |
| 12 | ALR5693G | CARRIER ASSEMBLY, spare wheel, Genuine | 1 |
| 13 | BTR9438MUEG | COVER, spare wheel, Silver, Genuine | 1 |
| 14 | BTR9901LAVG | DECAL, spare wheel cover, 'LAND ROVER',
Dark Grey, Genuine | 1 |
| 15 | LRNASE7MUKG | DECAL, back door, 'SE7',
Mid-Silver, Genuine | 1 |

*NLA = No Longer Available

ILL. No.	Part No.	Description	Qty. Rqd.
----------	----------	-------------	-----------

Back Door Fittings & Decals



- | | | | |
|----|-------------|---|------|
| 16 | BTR9896MUKG | DECAL, back door, 'DISCOVERY',
Mid-Silver, Genuine | 1 |
| | BTR9896LAVG | DECAL, back door, 'DISCOVERY',
Dark Grey, Genuine | 1 |
| 17 | BTR9898MUKG | DECAL, back door 'V8i',
Mid-Silver, Genuine | 1 |
| | BTR9898LAVG | DECAL, back door 'V8i',
Dark Grey, Genuine | 1 |
| 18 | RTC6821G | MUDFLAP KIT, rear, pair | 1 |
| | RTC6821FK | MUDFLAP FIXING KIT | *NLA |



18 MUDFLAP KIT
#RTC6821G

TECH TIP: Bumper Endcaps



There's no item on the exterior of your Discovery I that is as easily damaged as a bumper end cap—and no item so inexpensive and easy to replace. Order your genuine replacements here and pay less.

- Bumper Endcap - Rear Left Hand (AWR2989PMDG)
- Bumper Endcap - Rear Right Hand (AWR2990PMDG)
- Bumper Endcap - Front Left Hand (AWR2991PMDG)
- Bumper Endcap - Front Right Hand (AWR2992PMDG)
- Bumper Endcap Bracket Mount Rear Left Hand (ANR3026G)
- Bumper Endcap Bracket Mount Rear Right Hand (ANR3025G)