

TIL. No.	Part No.	Description	Qty. Rqd.
----------	----------	-------------	-----------

HEATING AND AIR CONDITIONING

REMARKS LEGEND -

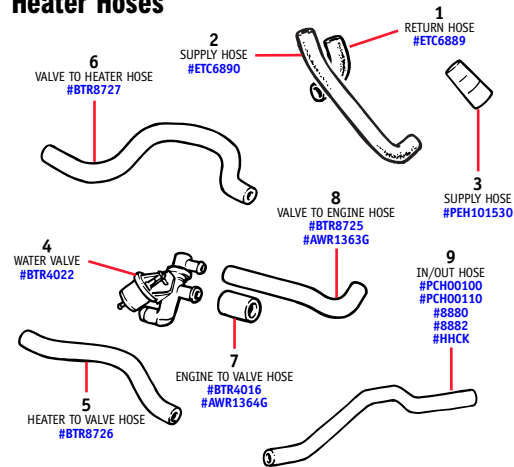
Engine (e) numbers:

35D = 3.9 liter, manual transmission, distributor ignition
 36D = 3.9 liter, automatic transmission, distributor ignition
 50D = 4.0 liter, electronic ignition

Vehicle i.d. (v) numbers:

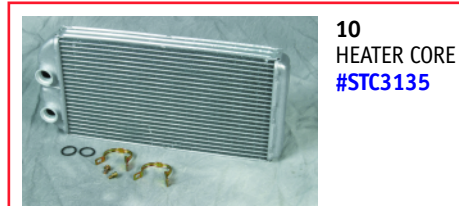
RA = 1994 model year;
 SA = 1995 model year;
 TA = 1996 model year

Heater Hoses

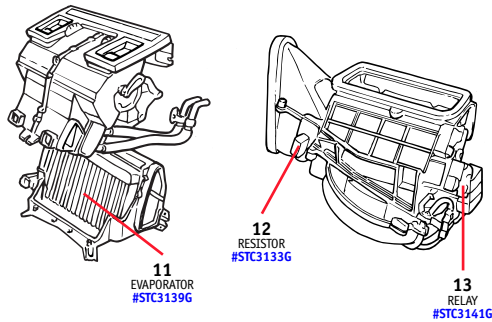


1	ETC6889	HOSE, heater, return to engine <i>Through 1995 model year</i>	1
2	ETC6890	HOSE, heater, supply from engine <i>Through 1995 model year</i>	1
3	PEH101530	HOSE, heater, supply from engine <i>From (v) 1996 model year on</i>	1
4	BTR4022	VALVE, water control <i>Through (v) RA104738</i>	1
5	BTR8726	HOSE, heater to valve <i>Through (v) RA104738</i>	1
6	BTR8727	HOSE, valve to heater <i>Through (v) RA104738</i>	1
7	BTR4016	HOSE, engine to valve <i>Through (v) RA103486</i>	1
	AWR1364G	HOSE, engine to valve, Genuine <i>From (v) RA103487 to 104738</i>	1
8	BTR8725	HOSE, valve to engine <i>Through (v) RA103486</i>	1
	AWR1363G	HOSE, valve to engine, Genuine <i>From (v) RA103487 to 104738</i>	1
9	PCH000100	HOSE, heater in/out <i>From (v) RA104739 through 1995 model year</i>	1
	PCH000110	HOSE, heater in/out <i>From (v) 1996 model year on</i>	1
	8880	HEATER HOSE KIT, H20 valve <i>(v) 1994 model year</i>	*NLA
	8882	HEATER HOSE KIT, without H20 valve <i>(v) 1994 through 1999 model year</i>	*NLA
	HHCK	CLAMP KIT, heater hoses <i>Includes 8 clamps</i>	1

TIL. No.	Part No.	Description	Qty. Rqd.
----------	----------	-------------	-----------

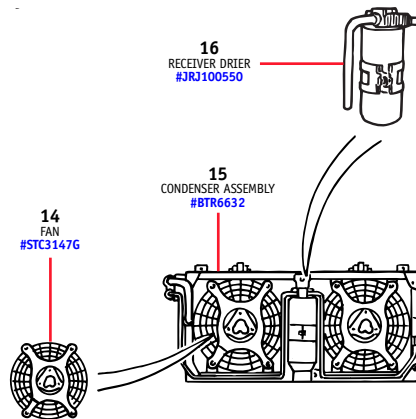


Core and Evaporator



10	STC3135	CORE, heater unit	1
11	STC3139G	EVAPORATOR ASSEMBLY, Genuine	1
12	STC3133G	RESISTOR, blower speed, Genuine	1
13	STC3141G	RELAY, blower motor, Genuine	1

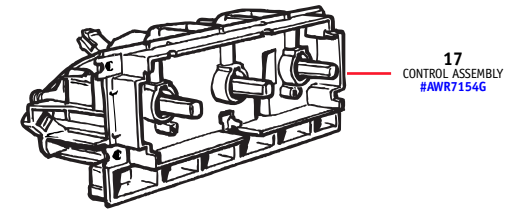
Condenser and Fan



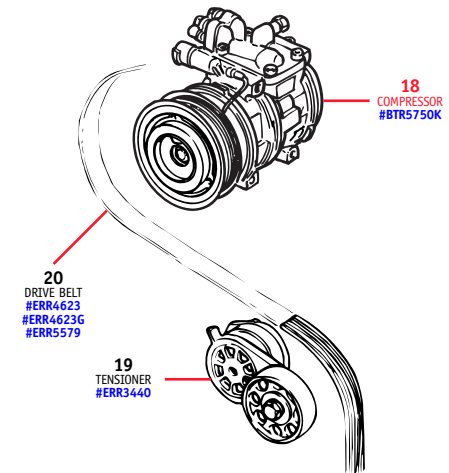
14	STC3147G	FAN, condenser, Genuine	2
15	BTR6632	CONDENSER AND FAN ASSY <i>Includes receiver drier cannister</i>	1
16	JRJ100550	RECEIVER DRIER	1
17	AWR7154G	CONTROL ASSEMBLY, heating system, Genuine	1

TIL. No.	Part No.	Description	Qty. Rqd.
----------	----------	-------------	-----------

Control Assembly



Compressor Assembly



18	BTR5750K	COMPRESSOR ASSEMBLY, remanufactured <i>Includes core charge of \$150</i>	1
19	ERR3440	TENSIONER, pulley, polyvee belt	1
20	ERR4623	BELT, drive, polyvee <i>(e) 35D, 36D engines</i>	1
	ERR4623G	BELT, drive, polyvee, Genuine <i>(e) 35D, 36D engines</i>	1
	ERR5579	BELT, drive, polyvee <i>(e) 50D engines</i>	1

*NLA = No Longer Available

PRICES SUBJECT TO CHANGE.
 Call for the Latest Pricing and Availability.